

Silverlink 600 Bains Marie (Wet Heat)

Key Features

- Type: Electric
- Counter-top unit
- Thermostatic temperature control
- Wet heat operation (indirect heat)
- Drainage tap to front
- Supplied with stainless steel pots and lids
- Nitrile rubber feet



BS3W

Construction

- Body: stainless steel grade 430
- Pots: stainless steel grade 304

Available Options

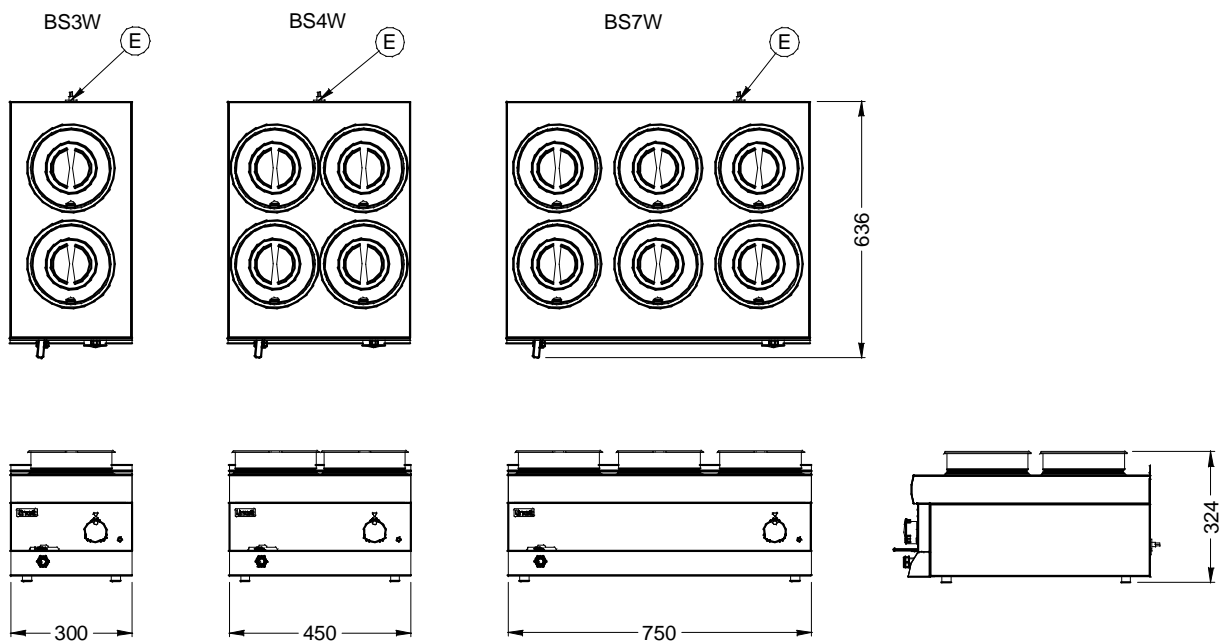
- 2, 4 and 6 pot sizes

Available Accessories

- Various pedestals and stands

Specifications

| Model | BS3W | BS4W | BS7W |
|---|-------|-------|-------|
| External height (mm) | 324 | 324 | 324 |
| External width (mm) | 300 | 450 | 750 |
| External depth (mm) | 636 | 636 | 636 |
| Number of pots | 2 | 4 | 6 |
| Pot capacity (litres) | 4.5 | 4.5 | 4.5 |
| Net weight unpacked (kg) | 11.0 | 14.55 | 21.20 |
| Gross weight packed (kg) | 16 | 22 | 33 |
| Shipping volume (m ³) | 0.145 | 0.214 | 0.309 |
| Total electrical power rating (kW) | 1.0 | 1.0 | 2.0 |
| Electrical supply 1N~+E 230V 50-60Hz Current rating (A) | 4.3 | 4.3 | 8.7 |



Lincat Limited, Whisby Road,
Lincoln LN6 3QZ,
United Kingdom

UK Sales Tel: 01522 875500 UK Spares Tel: 01522 875510 UK General Tel: 01522 875555
 UK Fax: 01522 875530 International Sales Tel: +44 1522 503250 International Fax: +44 1522 875530
 Website: www.lincat.co.uk UK Sales e-mail: sales@lincat.co.uk International Sales e-mail: export@lincat.co.uk



Document ref:
S-LINKBAINPOTWET
Issue date: Oct-09