

# Panther 670 Series Bain Marie Top Hot Cupboards

## Key Features

- Type: Electric
- Bains marie top
- Bains marie section with dry or wet operation (direct or indirect heat)
- Separate thermostatic temperature control for bains marie and cupboard
- Sliding doors to front (removable)
- Drainage tap to right side
- Supplied with two shelves
- Supplied with swivel and lockable castors
- Cupboard double skinned with insulation
- Supplied with push bar



P6B3 (Optional Green Panel)

## Construction

- Body: stainless steel grade 430
- Interior: mirror stainless steel
- Chrome plated shelves
- GN containers and lids: stainless steel grade 304

## Available Options

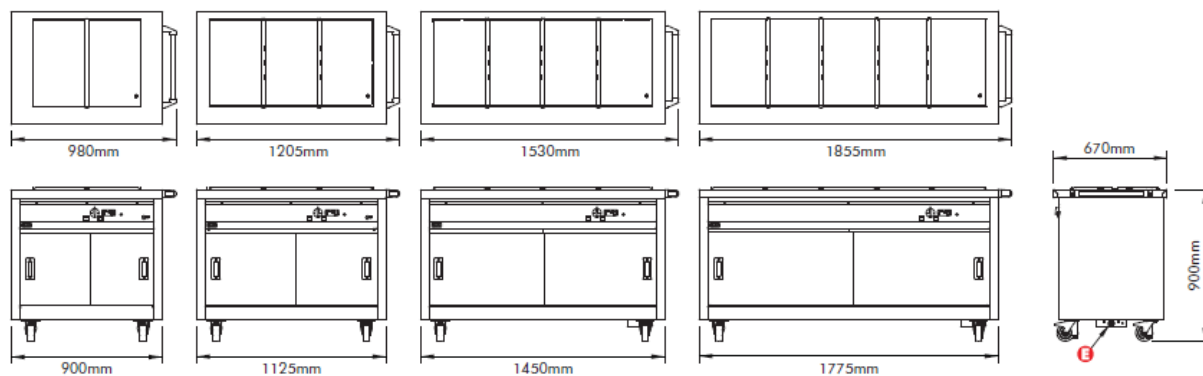
- Choice of sizes
- Static version with adjustable legs
- Coloured front panels
- Heated gantry or overshelf
- Ambient gantry or overshelf
- PTS2,3,4,5 – Drop down tray slides
- PDL- Door Lock

## Available Accessories

- PPB6 - Additional push bar handle.
- CP16- Carvery Pad
- PHTC- Ceramic Hot Tile
- PHTG- Glass Hot Tile
- Choice of GN configurations (available separately)

## Specifications

Model	P6B2	P6B3	P6B4	P6B5
External height (mm)	900	900	900	900
External width (mm)	900	1125	1450	1775
External depth (mm)	670	670	670	670
Usable oven capacity h x w x d (mm)	440 x 820 x 540	440 x 1020 x 540	440 x 1345 x 540	440 x 1670 x 540
Oven shelf size w x d (mm)	788 x 512	967 x 512	1286 x 512	1610 x 512
Net weight unpacked (kg)	80	95	116	136
Gross weight packed (kg)	93	112	135	161
Shipping volume (m <sup>3</sup> )				
Total electrical power rating (kW)	2.6	2.8	4.9	5.2
Electrical supply 1N~+E 230V 50-60Hz Current Rating (A)	11.3	12.4	21.5	22.6



Lincat Limited, Whisby Road,  
Lincoln LN6 3QZ,  
United Kingdom

UK Sales Tel: 01522 875500 UK Spares Tel: 01522 875510 UK General Tel: 01522 875555  
UK Fax: 01522 875530 International Sales Tel: +44 1522 503250 International Fax: +44 1522 875530  
Website: [www.lincat.co.uk](http://www.lincat.co.uk) UK Sales e-mail: [sales@lincat.co.uk](mailto:sales@lincat.co.uk) International Sales e-mail: [export@lincat.co.uk](mailto:export@lincat.co.uk)



Document ref:  
PANTHER-P6B  
Issue date: April 14