



Electrolux

Warewashing Undercounter glasswasher, single skin with pressure boiler, drain pump and detergent dispenser

ITEM # _____

MODEL # _____

NAME # _____

SIS # _____

AIA # _____



Warewashing

Undercounter glasswasher, single skin with pressure boiler, drain pump and detergent dispenser

400073 (EUC1G)

Undercounter glasswasher, single skin with pressure boiler, drain pump and detergent dispenser, 540d/h - (UK)

Short Form Specification

Item No. _____

304 AISI stainless steel front and side panels, door, control panel and wash tank. Double skinned door. Wash tank with rounded corners. Wash arms and jets in polypropylene, easy to remove. 2 wash cycles 120/180 seconds. Soft start wash pump to avoid accidental breakage of dishes/glasses. Washing system with rotating washing arms, large capacity wash pump and tank volume. Built-in pressure boiler (1,5 Kw), 5,8 liter capacity for hot rinse cycle (80-90° C). Boiler with 304 welding for protection against corrosion. Drain pump. Electronic controls with temperature display. External connecting box protected by a waterproof plastic cover. Self-cleaning cycle. Rinse aid dispenser. Detergent dispenser.

Hourly capacity: 540 dishes/30 baskets mm500x500.

Supplied with: n. 1 basket for cups and n. 1 cutlery holder.

Main Features

- Incorporated Soft Start feature to offer additional protection to more delicate items.
- 4 second (variable) pause after washing and before rinsing ensures that no drops of unclean water will fall on the clean items at the end of the rinsing cycle.
- IPX 4 water protection.
- An effective rinse system uses only 3 litres of clean hot water per basket for lower running costs.
- Constant temperature of 84 °C throughout the rinsing cycle regardless of the network's water pressure and temperature.
- Built-in rinse aid dispenser with automatic initial and continuous cycle loading for perfect result while minimizing service and maintenance needs.
- Digital read-out keeps operator informed as to temperatures.
- Fault auto-diagnosis system.
- High efficiency air gap (class A) in water inlet circuit to avoid water being siphoned back into the network as a result of a sudden drop in main pressures.
- Low noise level.
- State-of-the-art electronic controls with built-in programming, self-diagnostics for serviceability and automatic interior self-cleaning cycle.
- Unique temperature interlock guarantees required temperatures in both the wash and final rinse.
- WRAS-approved product.
- Utilizes fresh hot rinse water.
- 90/180 seconds cycle.
- Washing capacity of 30 baskets or 540 dishes per hour.

Construction

- Element protection from dry fire and low water.
- Heavy duty Stainless steel construction.
- Interchangeable wash/rinse arms screw out for simple clean up.
- Internal cavity as well as exterior panels are all 304 series Stainless steel.
- Large deep drawn wash tank and internal wash area with round corners and no pipes to avoid dirt built-up.
- The boiler drain facilitates the evacuation of stagnant water after long periods of inactivity to ensure a higher level of hygiene.
- Single phase electrical connection.
- Unit to include drain, detergent and rinse aid dispenser pumps

APPROVAL: _____



Electrolux

Warewashing
Undercounter glasswasher, single skin with pressure boiler, drain pump
and detergent dispenser

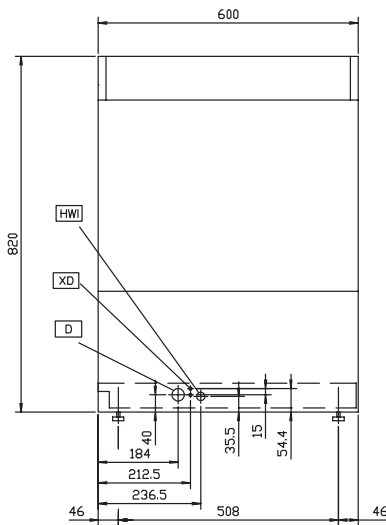
Included Accessories

- 1 of Yellow cutlery container PNC 864242
- 1 of Basket for 48 small cups or 24 cups - blue PNC 867007

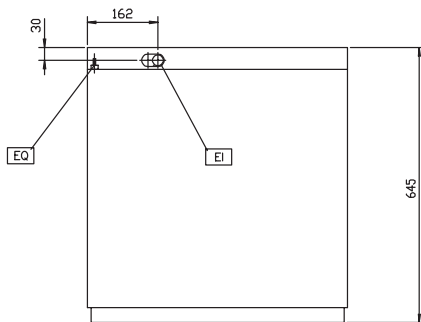
Optional Accessories

- 12lt external manual water softener PNC 860412
- 8lt external automatic water softener PNC 860413
- Stand for undercounter dishwasher PNC 860418
- 20lt external manual water softener PNC 860430
- Integrated HACCP kit PNC 864001
- HACCP printer kit PNC 864002
- External detergent level probe kit PNC 864004
- External rinse level probe kit PNC 864005
- Stainless steel inlet hose kit PNC 864016
- Filter for partial demineralization PNC 864017
- Kit to measure total and partial water hardness PNC 864050
- Rinse booster pump kit for single tank pressure dishwasher PNC 864051
- Stainless steel tank filter for single skin undercounter PNC 864222
- Yellow cutlery container PNC 864242
- Aisi 304 stainless steel back panel for undercounters EUC PNC 864246
- Filter for total demineralization PNC 864367
- Pressure reducer for single tank dishwasher PNC 864461
- Half size basket universal PNC 864527
- Half size basket for plates PNC 864528
- Half size basket for glasses PNC 864529
- Kit 4 plastic boxes for cutlery - yellow PNC 865574
- Basket for 18 dinner plates - yellow PNC 867002
- Basket for 48 small cups or 24 cups - blue PNC 867007
- Cover rack for small and light items (500x500 baskets) PNC 867016
- Basket for 16 vertical glasses (h 70 mm - diam 100 mm) - blue PNC 867023

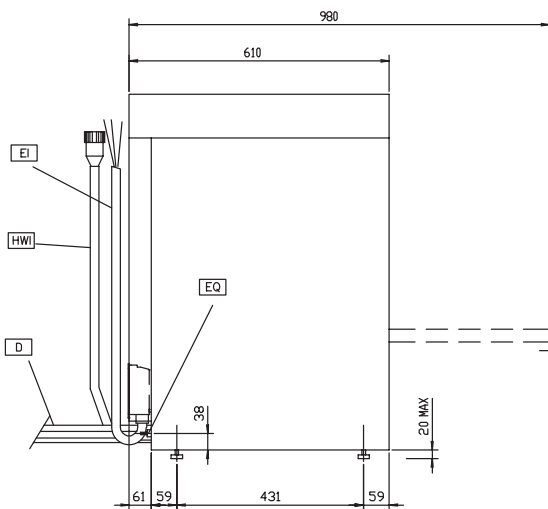
Front



Top



Side



- D = Drain
EI = Electrical connection
EO = Electrical Outlet
HWI = Hot water inlet
V = Air vents
XD = Detergent connection
XR = Rinse aid connection

Electric

Supply voltage:	
400073 (EUC1G)	230 V/1N ph/50 Hz
Convertible to:	
Total Watts:	2.85 kW
Boiler heating elements:	1.5 kW
Tank heating elements:	2 kW
Wash pump size:	0.736 kW

Water

Pressure, bar min/max:	2-3 bar
Water supply temperature:	50 °C
Drain line size:	20.5mm
Inlet Water supply pressure:	29 - 44 psi (2 - 3 bar)
Water consumption per cycle (lt):	3.3
Working cycles time (sec.):	120/180
Boiler Capacity (lt):	5.8
Tank Capacity (lt):	33
Washing cycle temperature:	55-65 °C
Washing cycle tank capacity (lt):	33
Hot rinse cycle duration (sec.):	16
Hot rinse cycle temperature:	80-90 °C
Hot rinse cycle water consumption (lt):	3.3

Key Information

Baskets per hour:	30
Dishes per hour:	540
Wash temperature (MIN):	55-65°C
Rinse temperature (MIN):	80-90 °C
External dimensions, Height	820 mm
External dimensions, Width	600 mm
External dimensions, Depth	610 mm
Packaging size (WxDxH):	600x610x820 mm
Noise level:	<70 dBA
N° of working cycles - sec.:	2 (120/180)
Cell dimensions - width	500 mm
Cell dimensions - depth	500 mm
Cell dimensions - height	330 mm